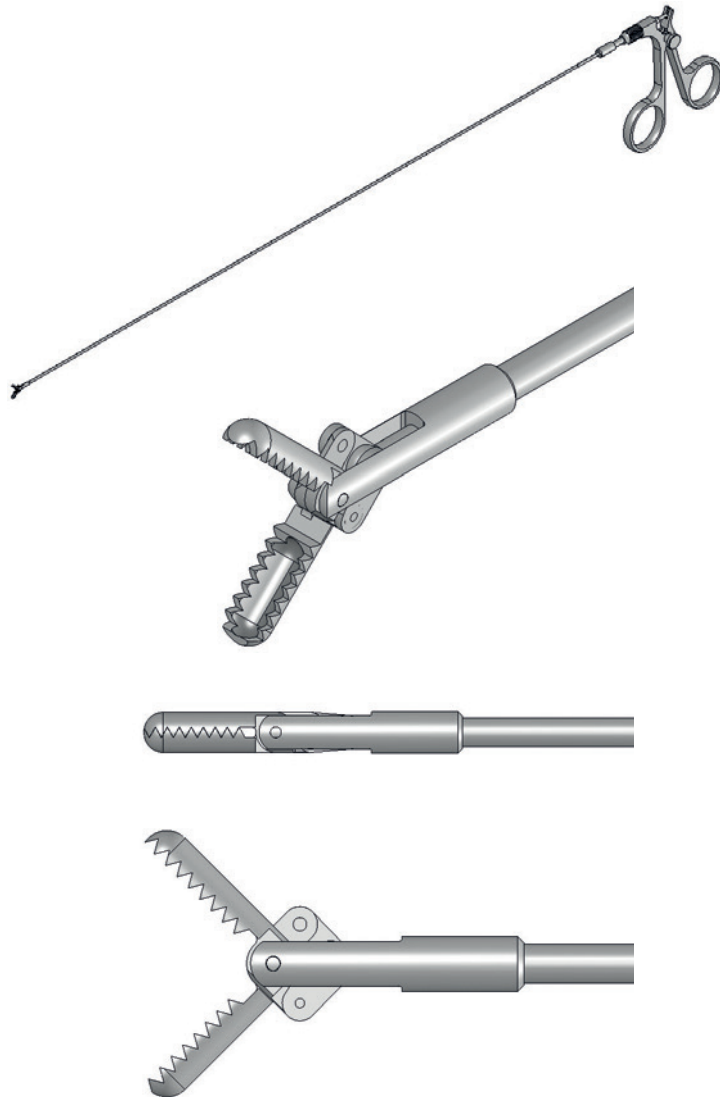




**MINIMAL INVASIVE
SURGERY**
Hysteroscopy
Urology
Product Overview

GRASPING FORCEPS
for Minimal Invasive Surgery

A-100-153	D 1.3, WL 340, rigid
A-100-154	D 1.3, WL 400, rigid
A-100-155	D 1.3, WL 600, rigid
A-100-156	D 1.67, WL 340, rigid
A-100-157	D 1.67, WL 400, rigid
A-100-158	D 1.67, WL 600, rigid
A-100-159	D 2.3, WL 340, rigid
A-100-160	D 2.3, WL 400, rigid
A-100-161	D 2.3, WL 600, rigid
A-100-162	D 1.3, WL 340, semiflex
A-100-163	D 1.3, WL 400, semiflex
A-100-164	D 1.3, WL 600, semiflex
A-100-165	D 1.67, WL 340, semiflex
A-100-166	D 1.67, WL 400, semiflex
A-100-167	D 1.67, WL 600, semiflex
A-100-168	D 2.3, WL 340, semiflex
A-100-169	D 2.3, WL 400, semiflex
A-100-170	D 2.3, WL 600, semiflex
A-100-171	D 1.3, WL 340, flexible
A-100-172	D 1.3, WL 400, flexible
A-100-173	D 1.3, WL 600, flexible
A-100-174	D 1.67, WL 340, flexible
A-100-175	D 1.67, WL 400, flexible
A-100-176	D 1.67, WL 600, flexible
A-100-177	D 2.3, WL 340, flexible
A-100-178	D 2.3, WL 400, flexible
A-100-179	D 2.3, WL 600, flexible





BIOPSY-FORCEPS
for Minimal Invasive Surgery

- A-100-180 D 1.3, WL 340, rigid
- A-100-181 D 1.3, WL 400, rigid
- A-100-182 D 1.3, WL 600, rigid
- A-100-183 D 1.67, WL 340, rigid
- A-100-184 D 1.67, WL 400, rigid
- A-100-185 D 1.67, WL 600, rigid
- A-100-186 D 2.3, WL 340, rigid
- A-100-187 D 2.3, WL 400, rigid
- A-100-188 D 2.3, WL 600, rigid

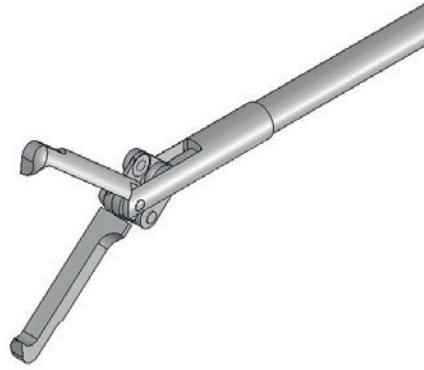


- A-100-189 D 1.3, WL 340, semiflex
- A-100-190 D 1.3, WL 400, semiflex
- A-100-191 D 1.3, WL 600, semiflex
- A-100-192 D 1.67, WL 340, semiflex
- A-100-193 D 1.67, WL 400, semiflex
- A-100-194 D 1.67, WL 600, semiflex
- A-100-195 D 2.3, WL 340, semiflex
- A-100-196 D 2.3, WL 400, semiflex
- A-100-197 D 2.3, WL 600, semiflex

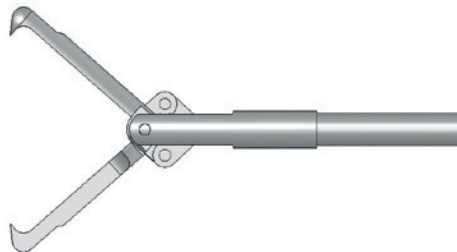
- A-100-198 D 1.3, WL 340, flexible
- A-100-199 D 1.3, WL 400, flexible
- A-100-200 D 1.3, WL 600, flexible
- A-100-201 D 1.67, WL 340, flexible
- A-100-202 D 1.67, WL 400, flexible
- A-100-203 D 1.67, WL 600, flexible
- A-100-204 D 2.3, WL 340, flexible
- A-100-205 D 2.3, WL 400, flexible
- A-100-206 D 2.3, WL 600, flexible

TENACULUM
for Minimal Invasive Surgery

- A-100-207** D 1.3, WL 340, rigid
- A-100-208** D 1.3, WL 400, rigid
- A-100-209** D 1.3, WL 600, rigid
- A-100-210** D 1.67, WL 340, rigid
- A-100-211** D 1.67, WL 400, rigid
- A-100-212** D 1.67, WL 600, rigid
- A-100-213** D 2.3, WL 340, rigid
- A-100-214** D 2.3, WL 400, rigid
- A-100-215** D 2.3, WL 600, rigid



- A-100-216** D 1.3, WL 340, semiflex
- A-100-217** D 1.3, WL 400, semiflex
- A-100-218** D 1.3, WL 600, semiflex
- A-100-219** D 1.67, WL 340, semiflex
- A-100-220** D 1.67, WL 400, semiflex
- A-100-221** D 1.67, WL 600, semiflex
- A-100-222** D 2.3, WL 340, semiflex
- A-100-223** D 2.3, WL 400, semiflex
- A-100-224** D 2.3, WL 600, semiflex



- A-100-225** D 1.3, WL 340, flexible
- A-100-226** D 1.3, WL 400, flexible
- A-100-227** D 1.3, WL 600, flexible
- A-100-228** D 1.67, WL 340, flexible
- A-100-229** D 1.67, WL 400, flexible
- A-100-230** D 1.67, WL 600, flexible
- A-100-231** D 2.3, WL 340, flexible
- A-100-232** D 2.3, WL 400, flexible
- A-100-233** D 2.3, WL 600, flexible

FORCEPS LONG JAW
for Minimal Invasive Surgery

A-100-234 D 1.3, WL 340, rigid

A-100-235 D 1.3, WL 400, rigid

A-100-236 D 1.3, WL 600, rigid

A-100-237 D 1.67, WL 340, rigid

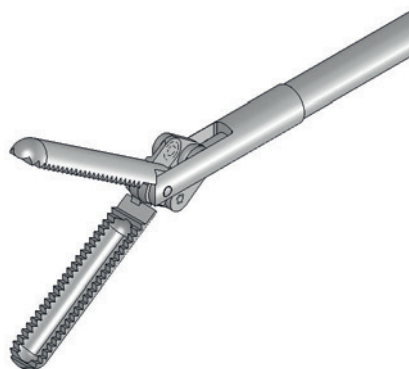
A-100-238 D 1.67, WL 400, rigid

A-100-239 D 1.67, WL 600, rigid

A-100-240 D 2.3, WL 340, rigid

A-100-241 D 2.3, WL 400, rigid

A-100-242 D 2.3, WL 600, rigid



A-100-243 D 1.3, WL 340, semiflex

A-100-244 D 1.3, WL 400, semiflex

A-100-245 D 1.3, WL 600, semiflex

A-100-246 D 1.67, WL 340, semiflex

A-100-247 D 1.67, WL 400, semiflex

A-100-248 D 1.67, WL 600, semiflex

A-100-249 D 2.3, WL 340, semiflex

A-100-250 D 2.3, WL 400, semiflex

A-100-251 D 2.3, WL 600, semiflex



A-100-252 D 1.3, WL 340, flexible

A-100-253 D 1.3, WL 400, flexible

A-100-254 D 1.3, WL 600, flexible

A-100-255 D 1.67, WL 340, flexible

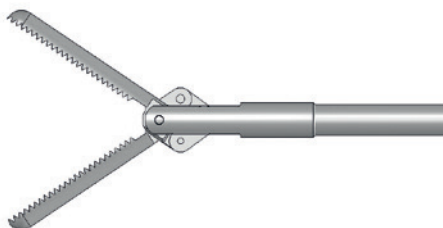
A-100-256 D 1.67, WL 400, flexible

A-100-257 D 1.67, WL 600, flexible

A-100-258 D 2.3, WL 340, flexible

A-100-259 D 2.3, WL 400, flexible

A-100-260 D 2.3, WL 600, flexible





SCISSORS SHARP
for Minimal Invasive Surgery

- A-100-261 D 1.3, WL 340, rigid
- A-100-262 D 1.3, WL 400, rigid
- A-100-263 D 1.3, WL 600, rigid
- A-100-264 D 1.67, WL 340, rigid
- A-100-265 D 1.67, WL 400, rigid
- A-100-266 D 1.67, WL 600, rigid
- A-100-267 D 2.3, WL 340, rigid
- A-100-268 D 2.3, WL 400, rigid
- A-100-269 D 2.3, WL 600, rigid



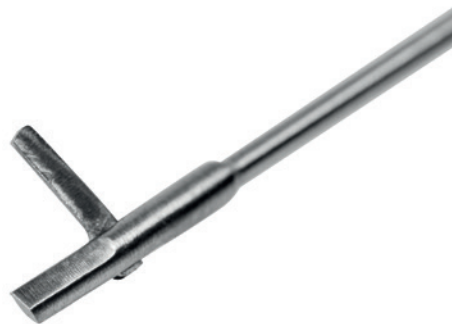
- A-100-270 D 1.3, WL 340, semiflex
- A-100-271 D 1.3, WL 400, semiflex
- A-100-272 D 1.3, WL 600, semiflex
- A-100-273 D 1.67, WL 340, semiflex
- A-100-274 D 1.67, WL 400, semiflex
- A-100-275 D 1.67, WL 600, semiflex
- A-100-276 D 2.3, WL 340, semiflex
- A-100-277 D 2.3, WL 400, semiflex
- A-100-278 D 2.3, WL 600, semiflex



- A-100-279 D 1.3, WL 340, flexible
- A-100-280 D 1.3, WL 400, flexible
- A-100-281 D 1.3, WL 600, flexible
- A-100-282 D 1.67, WL 340, flexible
- A-100-283 D 1.67, WL 400, flexible
- A-100-284 D 1.67, WL 600, flexible
- A-100-285 D 2.3, WL 340, flexible
- A-100-286 D 2.3, WL 400, flexible
- A-100-287 D 2.3, WL 600, flexible

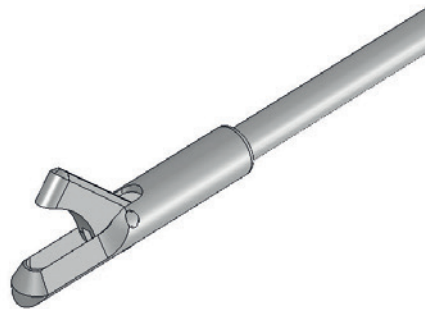
SCISSORS BLUNT
for Minimal Invasive Surgery

A-100-288	D 1.3, WL 340, rigid
A-100-289	D 1.3, WL 400, rigid
A-100-290	D 1.3, WL 600, rigid
A-100-291	D 1.67, WL 340, rigid
A-100-292	D 1.67, WL 400, rigid
A-100-293	D 1.67, WL 600, rigid
A-100-294	D 2.3, WL 340, rigid
A-100-295	D 2.3, WL 400, rigid
A-100-296	D 2.3, WL 600, rigid
A-100-297	D 1.3, WL 340, semiflex
A-100-298	D 1.3, WL 400, semiflex
A-100-299	D 1.3, WL 600, semiflex
A-100-300	D 1.67, WL 340, semiflex
A-100-301	D 1.67, WL 400, semiflex
A-100-302	D 1.67, WL 600, semiflex
A-100-303	D 2.3, WL 340, semiflex
A-100-304	D 2.3, WL 400, semiflex
A-100-305	D 2.3, WL 600, semiflex
A-100-306	D 1.3, WL 340, flexible
A-100-307	D 1.3, WL 400, flexible
A-100-308	D 1.3, WL 600, flexible
A-100-309	D 1.67, WL 340, flexible
A-100-310	D 1.67, WL 400, flexible
A-100-311	D 1.67, WL 600, flexible
A-100-312	D 2.3, WL 340, flexible
A-100-313	D 2.3, WL 400, flexible
A-100-314	D 2.3, WL 600, flexible



PUNCH
for Minimal Invasive Surgery

- A-100-315** D 1.3, WL 340, rigid
- A-100-316** D 1.3, WL 400, rigid
- A-100-317** D 1.3, WL 600, rigid
- A-100-318** D 1.67, WL 340, rigid
- A-100-319** D 1.67, WL 400, rigid
- A-100-320** D 1.67, WL 600, rigid
- A-100-321** D 2.3, WL 340, rigid
- A-100-322** D 2.3, WL 400, rigid
- A-100-323** D 2.3, WL 600, rigid



- A-100-324** D 1.3, WL 340, semiflex
- A-100-325** D 1.3, WL 400, semiflex
- A-100-326** D 1.3, WL 600, semiflex
- A-100-327** D 1.67, WL 340, semiflex
- A-100-328** D 1.67, WL 400, semiflex
- A-100-329** D 1.67, WL 600, semiflex
- A-100-330** D 2.3, WL 340, semiflex
- A-100-331** D 2.3, WL 400, semiflex
- A-100-332** D 2.3, WL 600, semiflex



- A-100-333** D 1.3, WL 340, flexible
- A-100-334** D 1.3, WL 400, flexible
- A-100-335** D 1.3, WL 600, flexible
- A-100-336** D 1.67, WL 340, flexible
- A-100-337** D 1.67, WL 400, flexible
- A-100-338** D 1.67, WL 600, flexible
- A-100-339** D 2.3, WL 340, flexible
- A-100-340** D 2.3, WL 400, flexible
- A-100-341** D 2.3, WL 600, flexible



ALLIGATOR
for Minimal Invasive Surgery

A-100-342 D 1.3, WL 340, rigid

A-100-343 D 1.3, WL 400, rigid

A-100-344 D 1.3, WL 600, rigid

A-100-345 D 1.67, WL 340, rigid

A-100-346 D 1.67, WL 400, rigid

A-100-347 D 1.67, WL 600, rigid

A-100-348 D 2.3, WL 340, rigid

A-100-349 D 2.3, WL 400, rigid

A-100-350 D 2.3, WL 600, rigid



A-100-351 D 1.3, WL 340, semiflex

A-100-352 D 1.3, WL 400, semiflex

A-100-353 D 1.3, WL 600, semiflex

A-100-354 D 1.67, WL 340, semiflex

A-100-355 D 1.67, WL 400, semiflex

A-100-356 D 1.67, WL 600, semiflex

A-100-357 D 2.3, WL 340, semiflex

A-100-358 D 2.3, WL 400, semiflex

A-100-359 D 2.3, WL 600, semiflex



A-100-360 D 1.3, WL 340, flexible

A-100-361 D 1.3, WL 400, flexible

A-100-362 D 1.3, WL 600, flexible

A-100-363 D 1.67, WL 340, flexible

A-100-364 D 1.67, WL 400, flexible

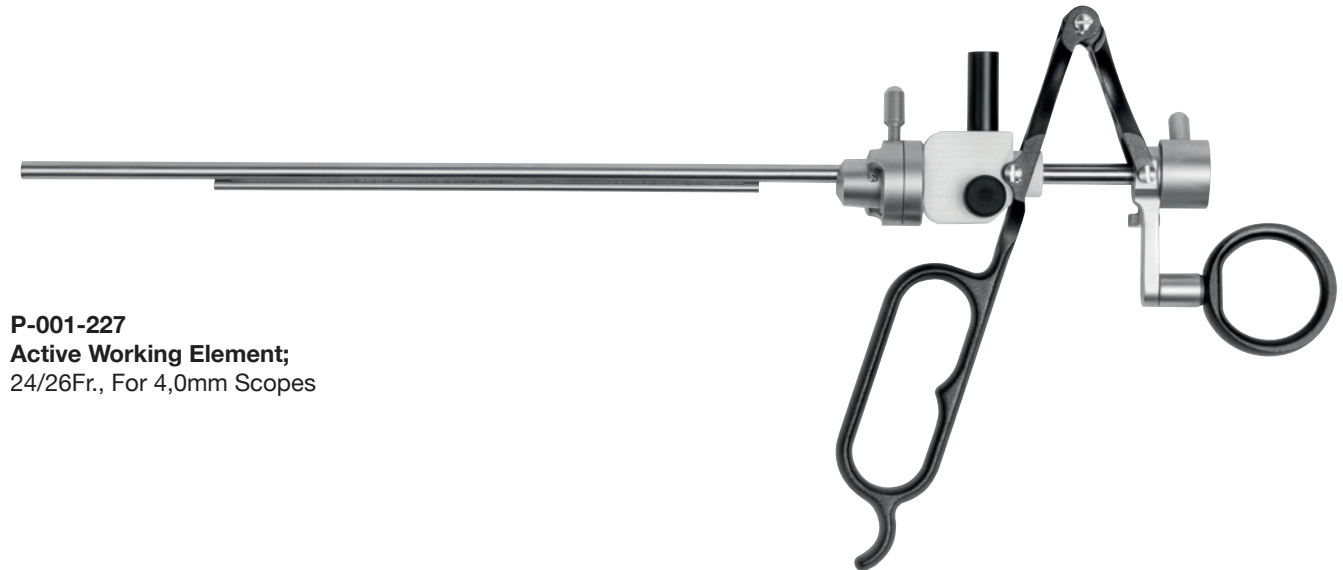
A-100-365 D 1.67, WL 600, flexible

A-100-366 D 2.3, WL 340, flexible

A-100-367 D 2.3, WL 400, flexible

A-100-368 D 2.3, WL 600, flexible

RESECTOSCOPES MONOPOLAR / BIPOLAR



P-001-227
Active Working Element;
24/26Fr., For 4,0mm Scopes



P-001-228
Passive Working Element;
24/26Fr., For 4,0mm Scopes

RESECTOSCOPES SHAFTS

P-001-229
Inner shaft; 26Fr.



P-001-241
Other shaft; 26Fr.



P-001-247
Obturator





DOPPKON GmbH & Co. KG
Einsteinstr. 30
78549 Spaichingen
GERMANY

T 0049.7424.94798.22
F 0049.7424.94798.23

info@doppkon.de
doppkon.de